

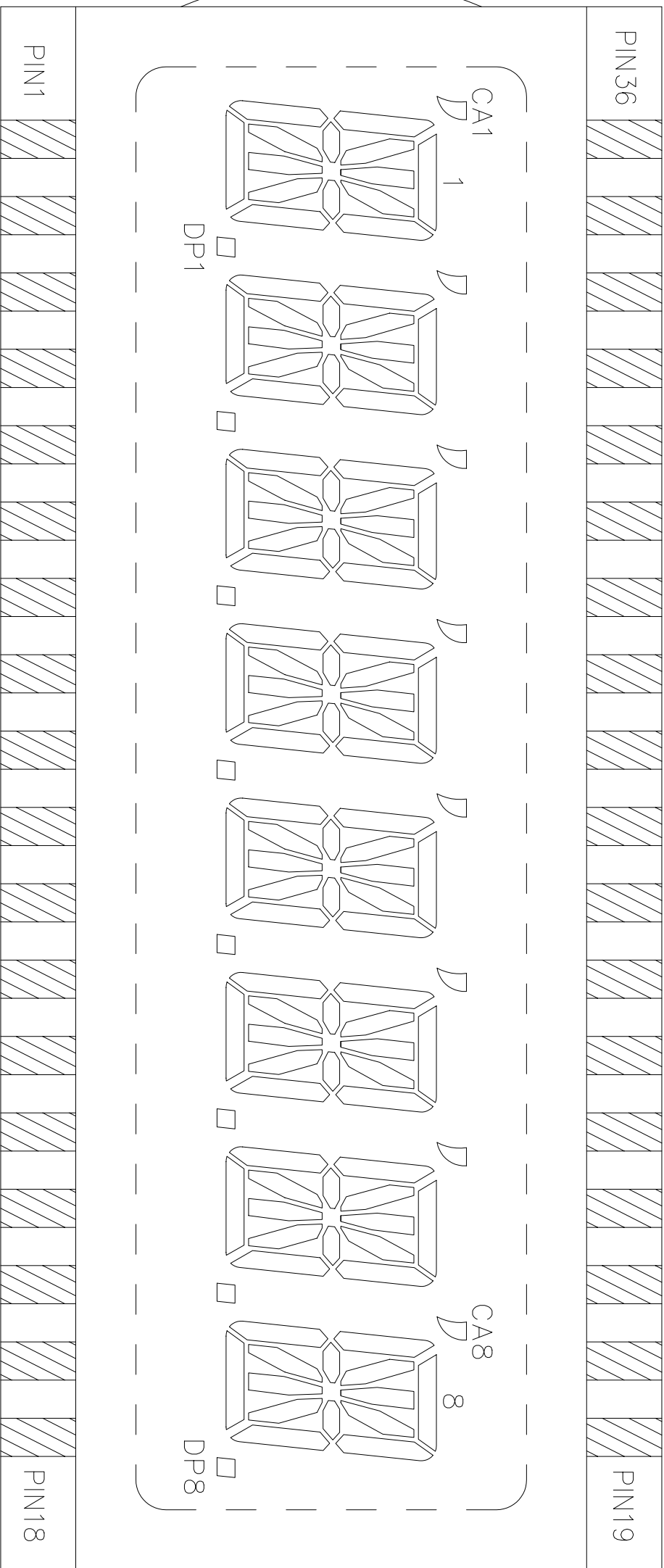
REMARK : 1) * - REFER TO COVER PAGE

2) **----- X.XX=2.54 (FOR PIN LENGTH \geq 3.2 & \leq 10.00mm)

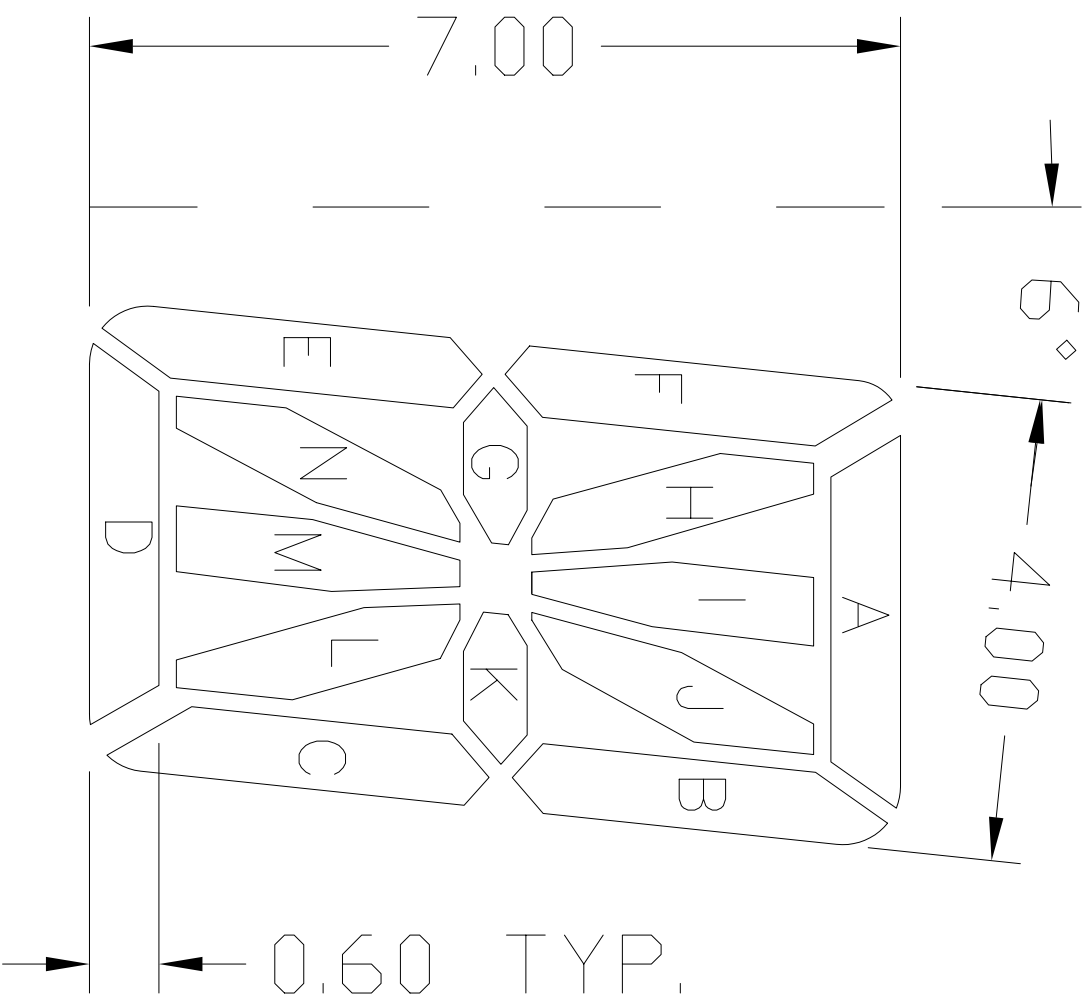
**----- X.XX=1.75 (FOR PIN LENGTH > 10.00 & \leq 19.50mm)

DWG NO : VIM-878-PP		REV : 0	
DRAWN BY : PINGAN		CHECKED BY : MING	
DATE : 99-01-28		SIGN :	
DIMENSION : mm		TOL : ±0.15 IF NOT SPECIFY	
DO NOT SCALE DRAWING		DATE :	
3rd ANGLE PROJECTION			

DWG.NO. : VIM-878-DP (REV.0)

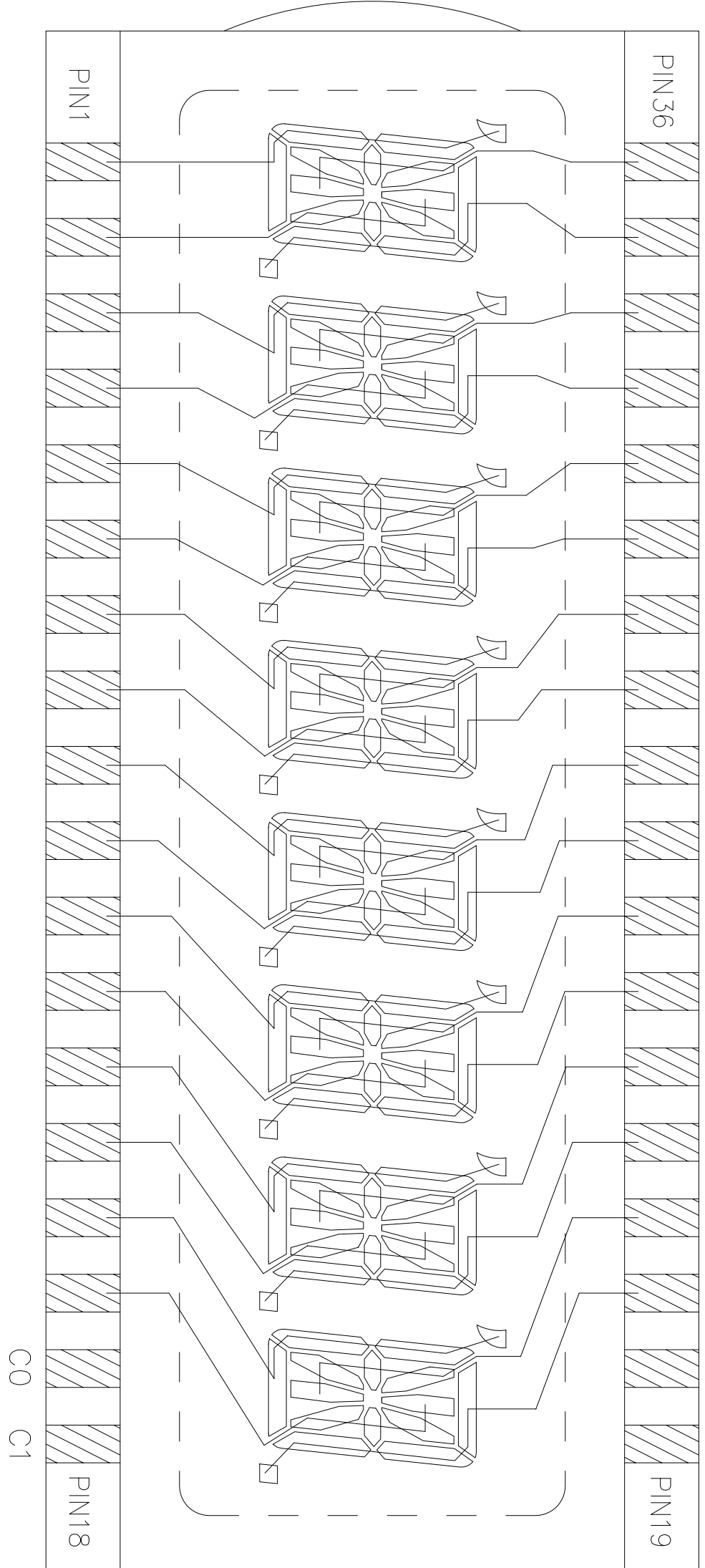


DWG. NO.: VIM-878-DP (REV.0)

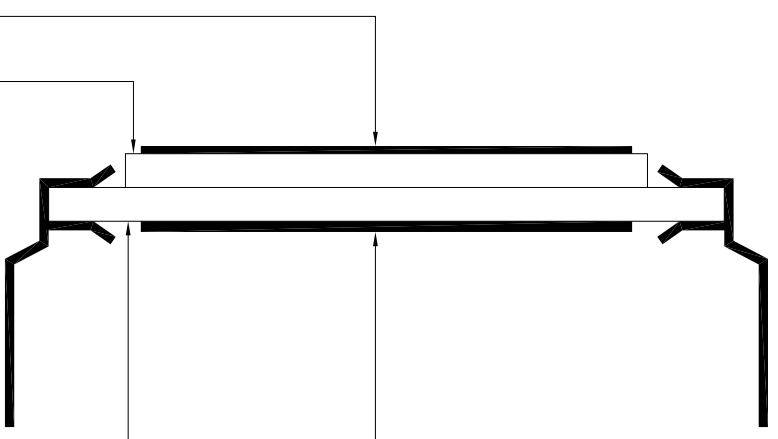
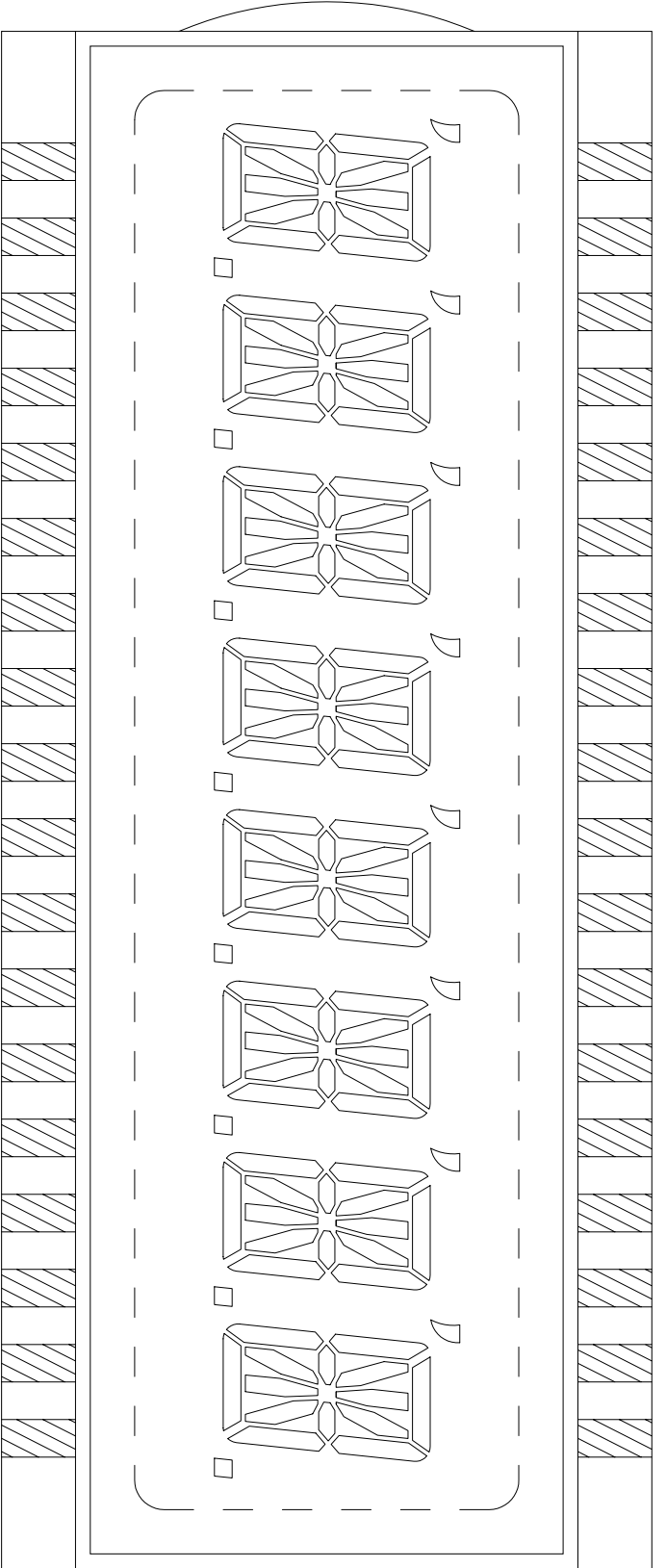


DIGIT 1-8

DWG.NO. : VIM-878-DP (REV.0)
SEGMENT TRACKING



DWG.NO.: VIM-878-DP (REV.0)



FRONT POLARIZER
FRONT GLASS
BACK GLASS
BACK POLARIZER

DWG.NO. : VIM-878-DP (REV.0)

PIN	COM0	COM1	COM2	COM3
1	1D	1E	1F	CA1
2	1L	1K	1J	1I
3	2D	2E	2F	CA2
4	2L	2K	2J	2I
5	3D	3E	3F	CA3
6	3L	3K	3J	3I
7	4D	4E	4F	CA4
8	4L	4K	4J	4I
9	5D	5E	5F	CA5
10	5L	5K	5J	5I
11	6D	6E	6F	CA6
12	6L	6K	6J	6I
13	7D	7E	7F	CA7
14	7L	7K	7J	7I
15	8D	8E	8F	CA8
16	8L	8K	8J	8I
17	COM0	----	----	----
18	----	COM1	----	----
19	----	----	COM2	----
20	----	----	----	COM3
21	DP8	8C	8B	8A
22	8M	8N	8G	8H
23	DP7	7C	7B	7A
24	7M	7N	7G	7H
25	DP6	6C	6B	6A
26	6M	6N	6G	6H
27	DP5	5C	5B	5A
28	5M	5N	5G	5H
29	DP4	4C	4B	4A
30	4M	4N	4G	4H
31	DP3	3C	3B	3A
32	3M	3N	3G	3H
33	DP2	2C	2B	2A
34	2M	2N	2G	2H
35	DP1	1C	1B	1A
36	1M	1N	1G	1H